

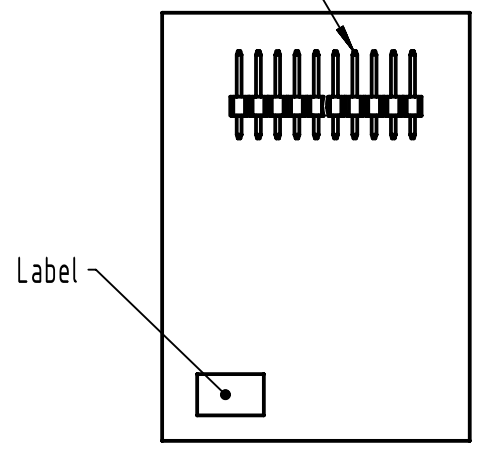
Specifications:

- Rated current: 3A
- Contact resistance: 20mΩ Max.
- Insulation resistance: 1000MΩ min.
- Test voltage: 1000V AC
- Operation temperature: -40°C to +105°C
- Contact material: Copper alloy
- Housing material: High temperature thermoplastic, Black, UL94V-0
- Max. processing temperature: 230°C for 60second or 260°C for 3second

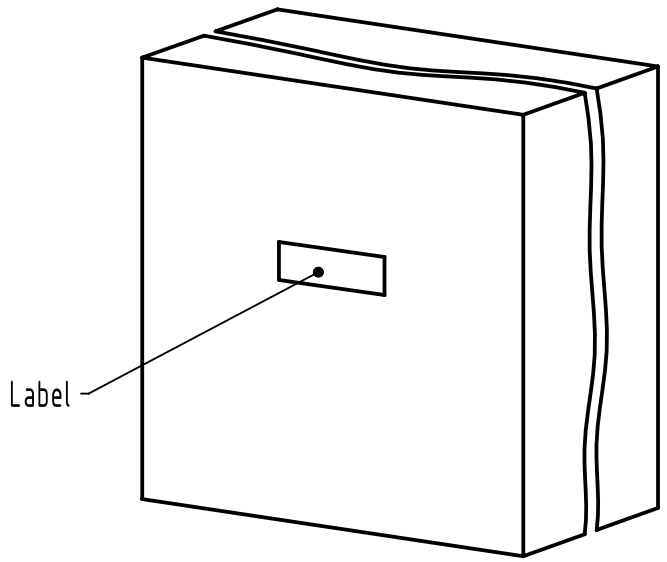
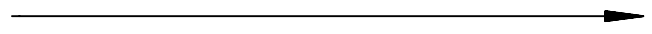
	All rights reserved Department EL PD	All Dimensions in mm Original Size DIN A3		Scale 5:1	Free size tol.	Ref. Sub.
		Created by ZHUANGJ	Inspected by LUOK	Standardisation ROEBEN	Date 2022-11-03	State Final Release
HARTING D-32339 Espelkamp		Title 2.54mm Single Straight Row Single Wafer Pin Header THR			Doc-Key / ECM-Nr. 101034779/UGD/000/A 500000228755	
		Type TB	Number 094940221XX11X		Rev. A	Page 1/2

② Total Pin Count	No. of Pins per row (=N)	Part number	A	B±0.5	① Plating
6	6	09494022106113	12.70	15.24	Au flash over Ni
8	8	09494022108113	17.78	20.32	
9	9	09494022109113	20.32	22.86	
10	10	09494022110113	22.86	25.40	
11	11	09494022111113	25.40	27.94	
15	15	09494022115113	35.56	38.10	
20	20	09494022120113	48.26	50.80	
25	25	09494022125113	60.96	63.50	
28	28	09494022128113	68.58	71.12	
30	30	09494022130113	73.66	76.20	


Connectors are packed in plastic bag



Put bags with connectors in carton



- ③ Customized mating pin length is available
- ② Other Pin Count option is possible, please contact our sales
- ① Plating options : Tin (Sn) plating over Ni, 15u" and 30u" Gold (Au) plating over Ni are available

 HARTING D-32339 Espelkamp	All rights reserved Department EL PD	All Dimensions in mm Original Size DIN A3		Scale 1:1	Free size tol.	Ref. Sub.
		Created by ZHUANGJ	Inspected by LUOK	Standardisation ROEBEN	Date 2022-11-03	State Final Release
Title 2.54mm Single Straight Row Single Wafer Pin Header THR					Doc-Key / ECM-Nr. 101034779/UGD/000/A 500000228755	
Type TB			Number 094940221XX11X		Rev. A	Page 2/2