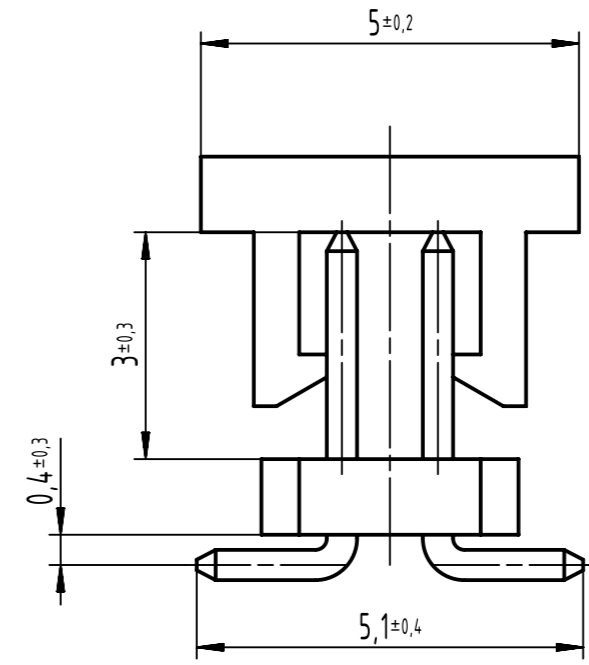
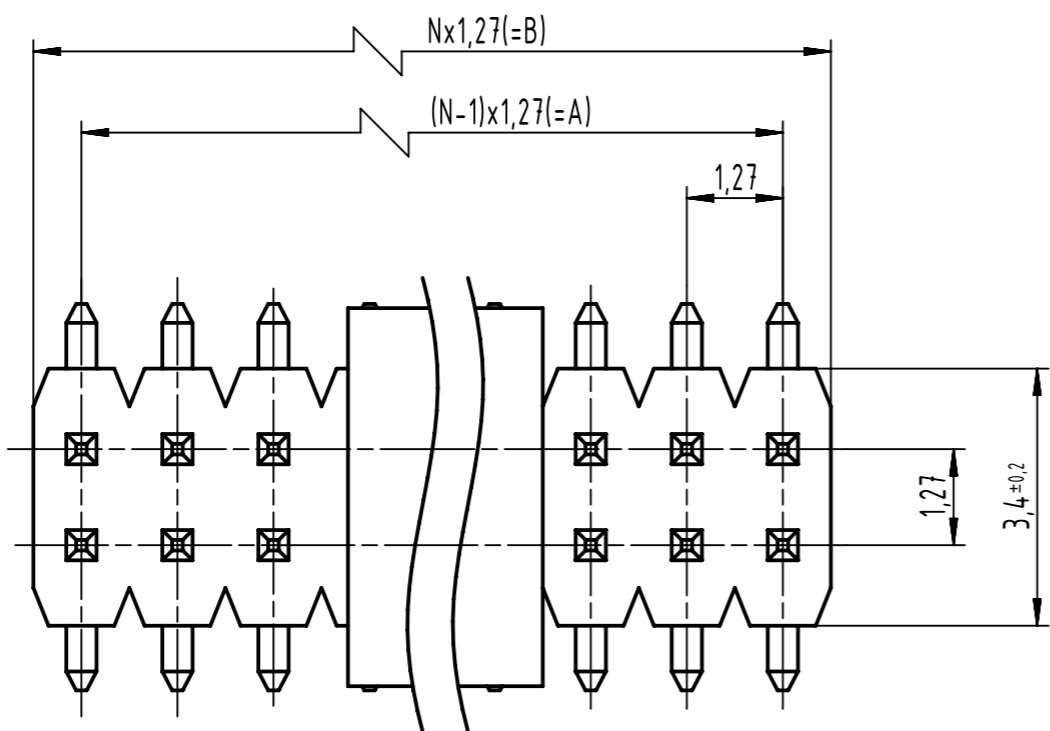
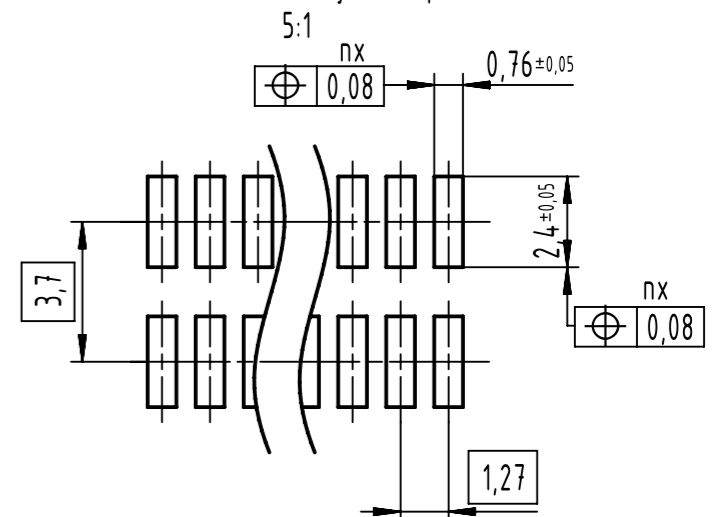


COPLANARITY OF CONTACT

Total pin count	Coplan. max
Less than 20	0,10
≥20	0,15



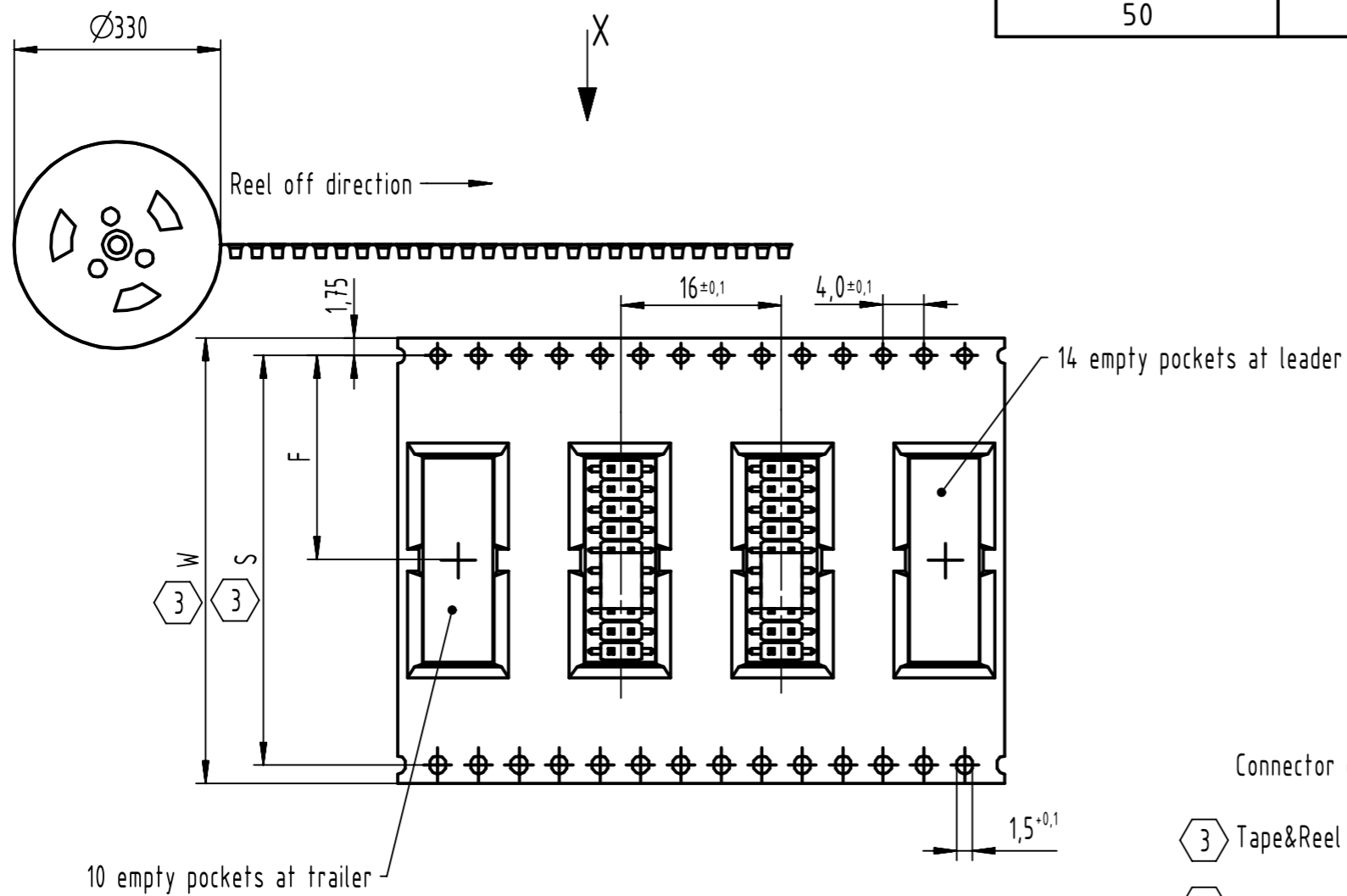
Recommended PCB layout(Top side)



Specifications:

- Rated current: 1A
- Contact resistance: 20mΩ Max.
- Insulation resistance: 1000MΩ min.
- Test voltage: 500V AC
- Operation temperature: -40°C to +105°C
- Contact material: Copper alloy
- Housing material: High temperature thermoplastic, Black, UL94V-0
- Max. processing temperature: 230°C for 60second or 260°C for 3second

	All rights reserved Department EL PD	All Dimensions in mm Original Size DIN A3	Scale 1:1	Free size tol.	Ref. Sub.
		Created by ZHUANGJ	Inspected by LUOK	Standardisation ROEBEN	Date 2022-11-09
HARTING D-32339 Espelkamp		Title 1,27mm Dual Straight Rows Single Wafer Pin Header SMT			Doc-Key / ECM-Nr. 101036642/UGD/000/A 500000229248
		Type TB	Number 094943022XX4DX		Rev. A
					Page 1/2



2 Total Pin Count	No. of Pins per row (=N)	Part number	A	B±0,5	1 Plating
8	4	094943022084D5	3,81	5,08	Au flash over Ni
10	5	094943022104D5	5,08	6,35	
12	6	094943022124D5	6,35	7,62	
14	7	094943022144D5	7,62	8,89	
18	9	094943022184D5	10,16	11,43	
20	10	094943022204D5	11,43	12,70	
24	12	094943022244D5	13,97	15,24	
30	15	094943022304D5	17,78	19,05	
40	20	094943022404D5	24,13	25,40	
50	25	094943022504D5	30,48	31,75	

Connector quantity per reel is 500pcs

- 3 Tape&Reel are according to EIA-481-D, Please contact our sales for missing dimensions
- 2 Other Pin Count option is possible, please contact our sales
- 1 Plating options : Tin (Sn) plating over Ni, 15u" and 30u" Gold (Au) plating over Ni are available

	All rights reserved	Created by ZHUANGJ	Inspected by LUOK	Standardisation ROEBEN	Date 2022-11-09	State Approved
	Department EL PD	Title 1,27mm Dual Straight Rows Single Wafer Pin Header SMT			Doc-Key / ECM-Nr. 101036642/UGD/000/A 50000229248	
HARTING D-32339 Espelkamp	Type TB	Number 094943022XX4DX			Rev. A	Page 2/2