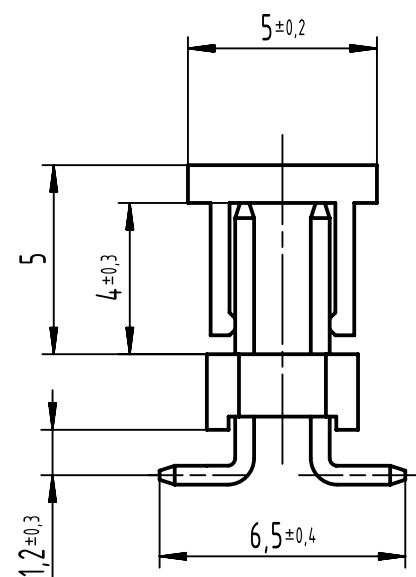
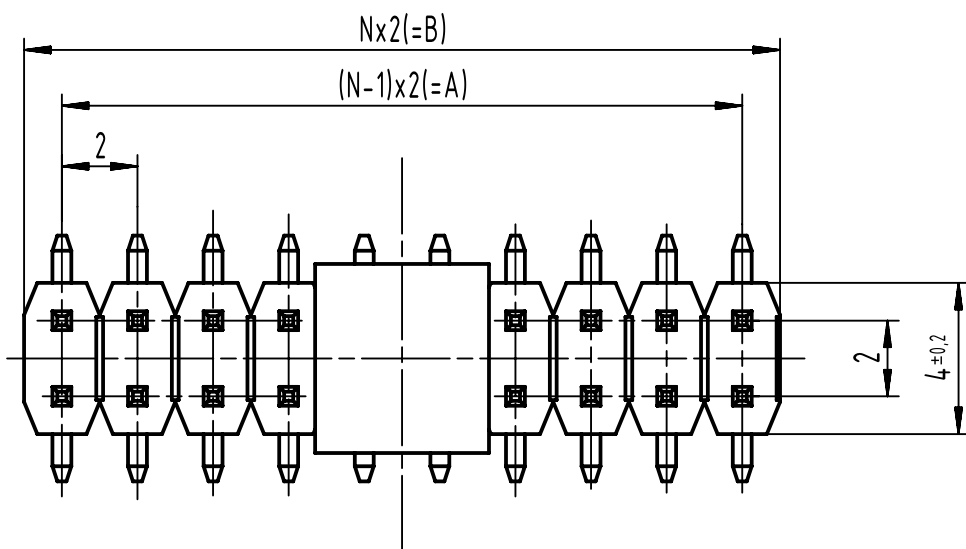
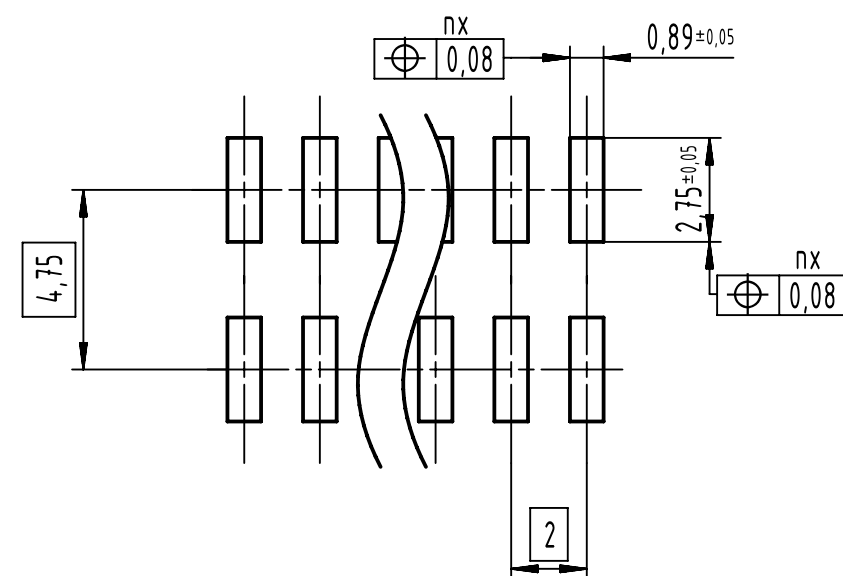


COPLANARITY OF CONTACT

Total pin count	Coplan. max
Less than 20	0,10
≥20	0,15



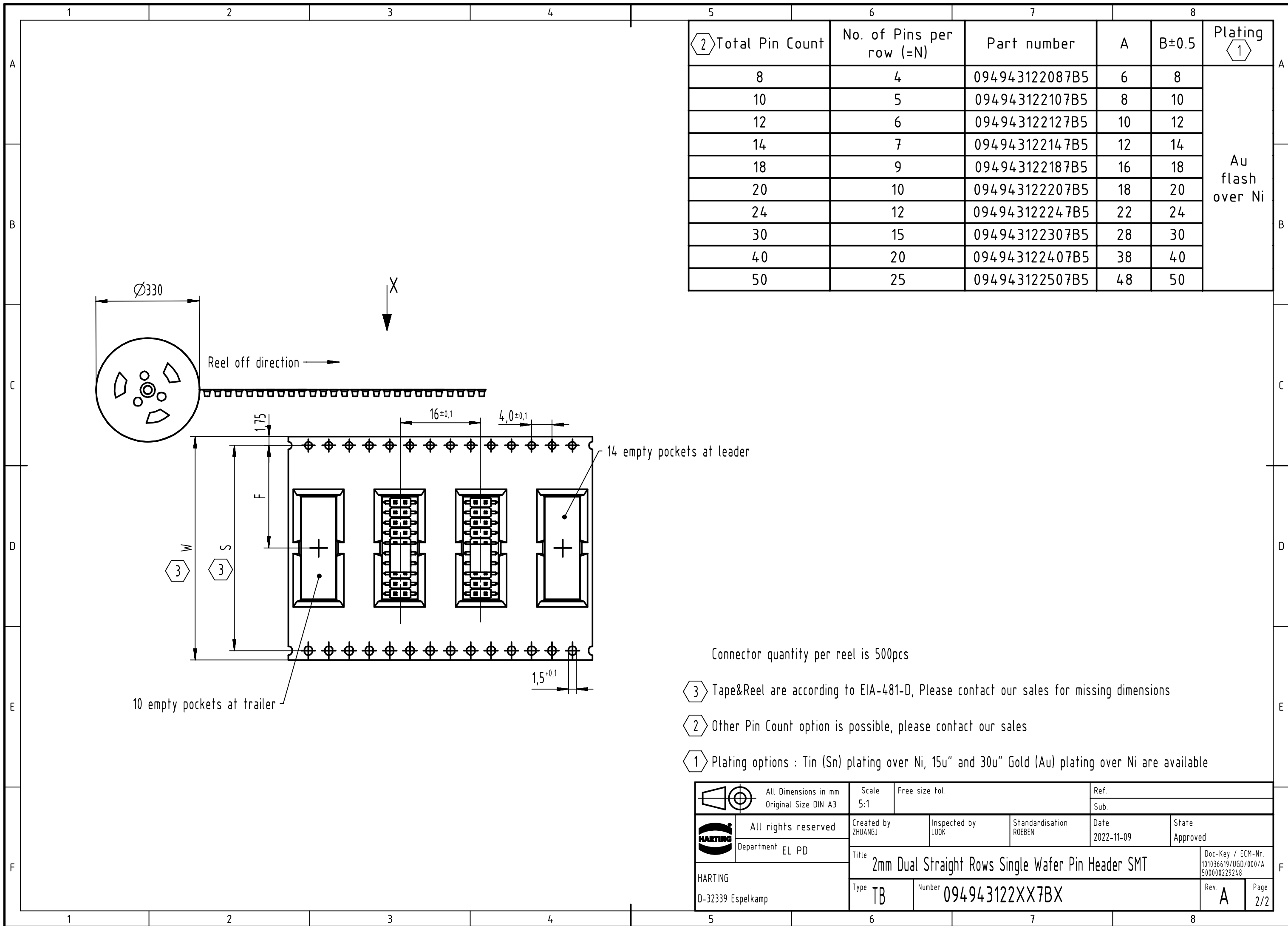
Recommended PCB layout(Top side)



Specifications:

- Rated current: 1.5A
- Contact resistance: 20mΩ Max.
- Insulation resistance: 1000MΩ min.
- Test voltage: 500V AC
- Operation temperature: -40°C to +105°C
- Contact material: Copper alloy
- Housing material: High temperature thermoplastic, Black, UL94V-0
- Max. processing temperature: 230°C for 60second or 260°C for 3second

	All rights reserved Department EL PD	All Dimensions in mm Original Size DIN A3		Scale 1:1	Free size tol.	Ref. Sub.
		Created by ZHUANGJ	Inspected by LUOK	Standardisation ROEBEN	Date 2022-11-09	State Approved
HARTING D-32339 Espelkamp		Title 2mm Dual Straight Rows Single Wafer Pin Header SMT			Doc-Key / ECM-Nr. 101036619/UGD/000/A 50000229248	
		Type TB	Number 094943122XX7BX		Rev. A	Page 1/2



② Total Pin Count	No. of Pins per row (=N)	Part number	A	B±0.5	Plating ①
8	4	094943122087B5	6	8	Au flash over Ni
10	5	094943122107B5	8	10	
12	6	094943122127B5	10	12	
14	7	094943122147B5	12	14	
18	9	094943122187B5	16	18	
20	10	094943122207B5	18	20	
24	12	094943122247B5	22	24	
30	15	094943122307B5	28	30	
40	20	094943122407B5	38	40	
50	25	094943122507B5	48	50	

Connector quantity per reel is 500pcs

- ③ Tape&Reel are according to EIA-481-D, Please contact our sales for missing dimensions
- ② Other Pin Count option is possible, please contact our sales
- ① Plating options : Tin (Sn) plating over Ni, 15u" and 30u" Gold (Au) plating over Ni are available

	All Dimensions in mm Original Size DIN A3		Scale 5:1	Free size tol.		Ref.	
	All rights reserved Department EL PD		Created by ZHUANGJ	Inspected by LUOK	Standardisation ROEBEN	Date 2022-11-09	State Approved
HARTING D-32339 Espelkamp		Title 2mm Dual Straight Rows Single Wafer Pin Header SMT				Doc-Key / ECM-Nr. 101036619/UGD/000/A 50000229248	
		Type TB	Number 094943122XX7BX			Rev. A	Page 2/2