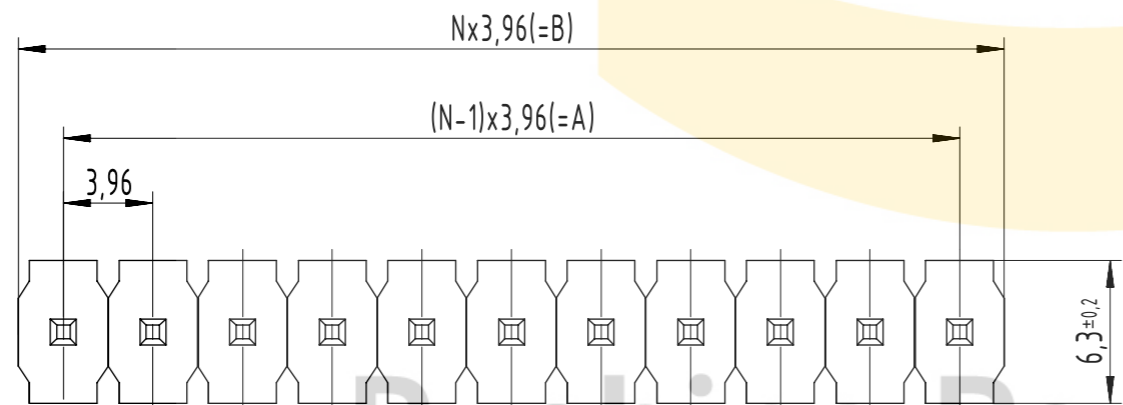
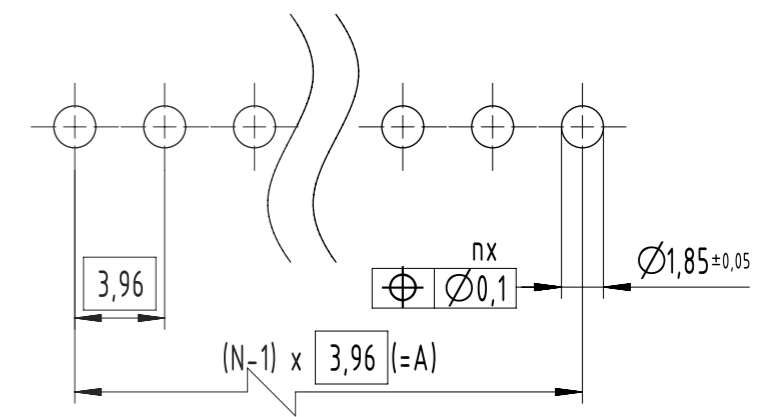


Recommended PCB layout(Top side)



Specifications:

- Rated current: 5A
- Contact resistance: 20mΩ Max.
- Insulation resistance: 1000MΩ min.
- Test voltage: 1000V AC
- Operation temperature: -40°C to +105°C
- Contact material: Copper alloy
- Housing material: High temperature thermoplastic, Black, UL94V-0
- Max. processing temperature: 230°C for 60second or 260°C for 3second

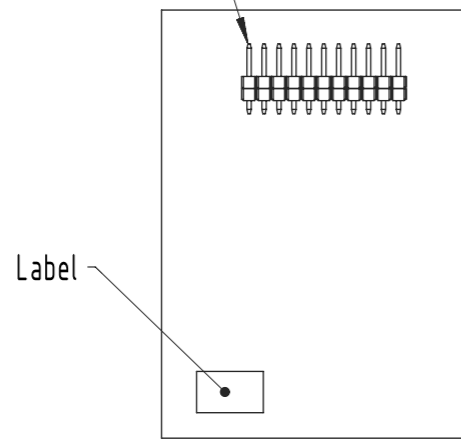
	All Dimensions in mm Original Size DIN A3		Scale 2:1	Free size tol.		Ref.	
	All rights reserved Department EL PD		Created by LUOK	Inspected by	Standardisation	Date 2022-10-18	State In Work
HARTING D-32339 Espelkamp		Title 3.96mm Single Straight Row Dual Wafers Pin Header THR				Doc-Key / ECM-Nr. 101034679/UGD/000/A	
		Type TB	Number 094942329XX18X		Rev. A	Page 1/2	

HARTING

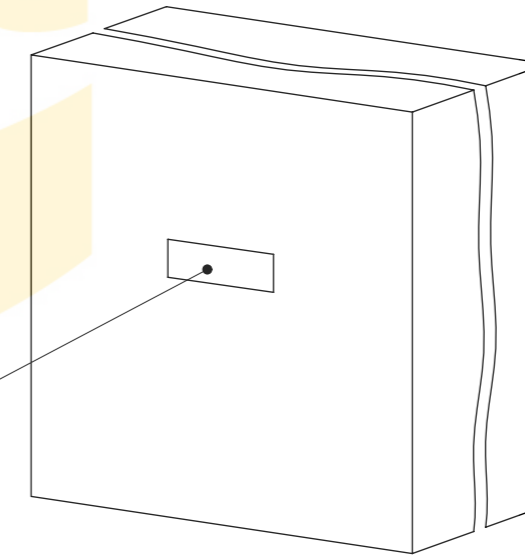
Pushing Performance
Since 1945

2 Total Pin Count	No. of Pins per row (=N)	Part number	A	B±0.5	1 Plating
6	6	09494232906183	19.80	23.76	Au flash over Ni
8	8	09494232908183	27.72	31.68	
9	9	09494232909183	31.68	35.64	
10	10	09494232910183	35.64	39.60	
11	11	09494232911183	39.60	43.56	
15	15	09494232915183	55.44	59.40	
20	20	09494232920183	75.24	79.20	
25	25	09494232925183	95.04	99.00	
28	28	09494232928183	106.92	110.88	
30	30	09494232930183	114.84	118.80	

Connectors are packed in plastic bag



Put bags with connectors in carton



Pushing Performance
Since 1945

- 4 Customized insulator direction is possible, please contact our sales
- 3 Customized mating pin length is available
- 2 Other Pin Count option is possible, please contact our sales
- 1 Plating options : Tin (Sn) plating over Ni, 15u" and 30u" Gold (Au) plating over Ni are available

	All rights reserved Department EL PD	All Dimensions in mm Original Size DIN A3		Scale 1:1	Free size tol.	Ref. Sub.
		Created by LUOK	Inspected by	Standardisation	Date 2022-10-18	State In Work
HARTING D-32339 Espelkamp		Title 3.96mm Single Straight Row Dual Wafers Pin Header THR				Doc-Key / ECM-Nr. 101034679/UGD/000/A
		Type TB	Number 094942329XX18X		Rev. A	Page 2/2