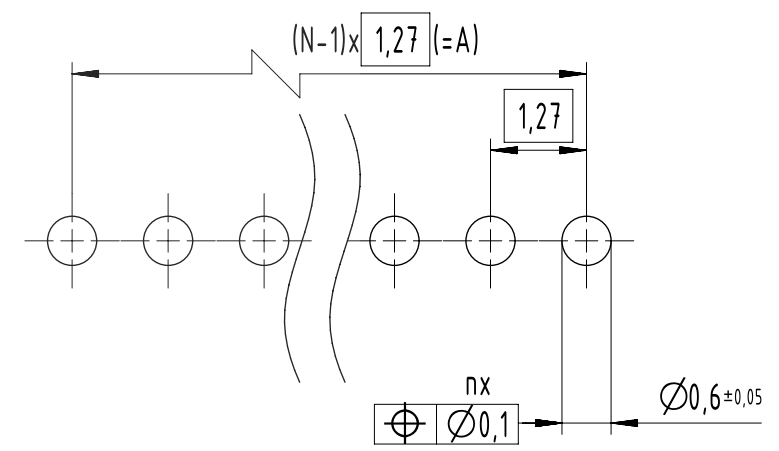


Recommended PCB layout(Top side)



Specifications:

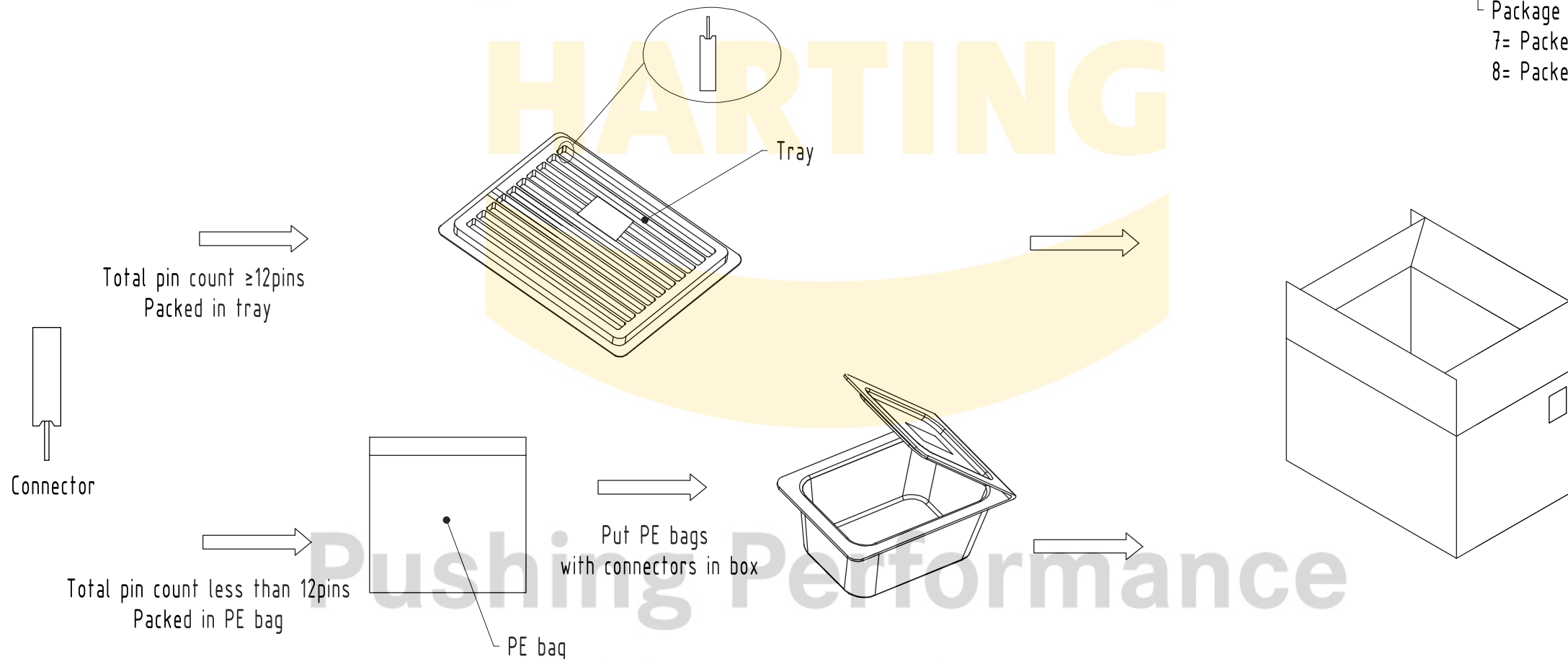
- Rated current: 1A
- Contact resistance: 20mΩ Max.
- Insulation resistance: 1000MΩ min.
- Test voltage: 500V AC
- Operation temperature: -40°C to +105°C
- Contact material: Copper alloy
- Housing material: High temperature thermoplastic, Black, UL94V-0
- Max. processing temperature: 230°C for 60second or 260°C for 3second

Pushing Performance
Since 1945

	All Dimensions in mm Original Size DIN A3		Scale 1:1	Free size tol.		Ref.
	All rights reserved Department EL PD		Created by LUOK	Inspected by	Standardisation	Date 2022-10-29
HARTING D-32339 Espelkamp		Title 1.27mm Single Straight Row Female Socket Header THR			Doc-Key / ECM-Nr. 101036088/UGD/000/A	
		Type TB	Number 094946021XX2DX		Rev. A	Page 1/2

2	Total Pin Count	No. of Pins per row (=N)	Part number	A	B±0.5	1	Plating
	6	6	094946021062D8	6.35	8.02	Au flash over Ni	
	8	8	094946021082D8	8.89	10.56		
	9	9	094946021092D8	10.16	11.83		
	10	10	094946021102D8	11.43	13.10		
	11	11	094946021112D8	12.70	14.37		
	15	15	094946021152D7	17.78	19.45		
	20	20	094946021202D7	24.13	25.80		
	25	25	094946021252D7	30.48	32.15		
	28	28	094946021282D7	34.29	35.96		
	30	30	094946021302D7	36.83	38.50		

Package code:
 7= Packed in Tray
 8= Packed in PE bag and box



2 Other Pin Count option is possible, please contact our sales

1 Plating options : Tin (Sn) plating over Ni, 15u" and 30u" Gold (Au) plating over Ni are available

	All rights reserved Department EL PD	All Dimensions in mm Original Size DIN A3		Scale 1:1	Free size tol.	Ref. Sub.
		Created by LUOK	Inspected by	Standardisation	Date 2022-10-29	State In Work
HARTING D-32339 Espelkamp		Title 1.27mm Single Straight Row Female Socket Header THR			Doc-Key / ECM-Nr. 101036088/UGD/000/A	
		Type TB	Number 094946021XX2DX		Rev. A	Page 2/2