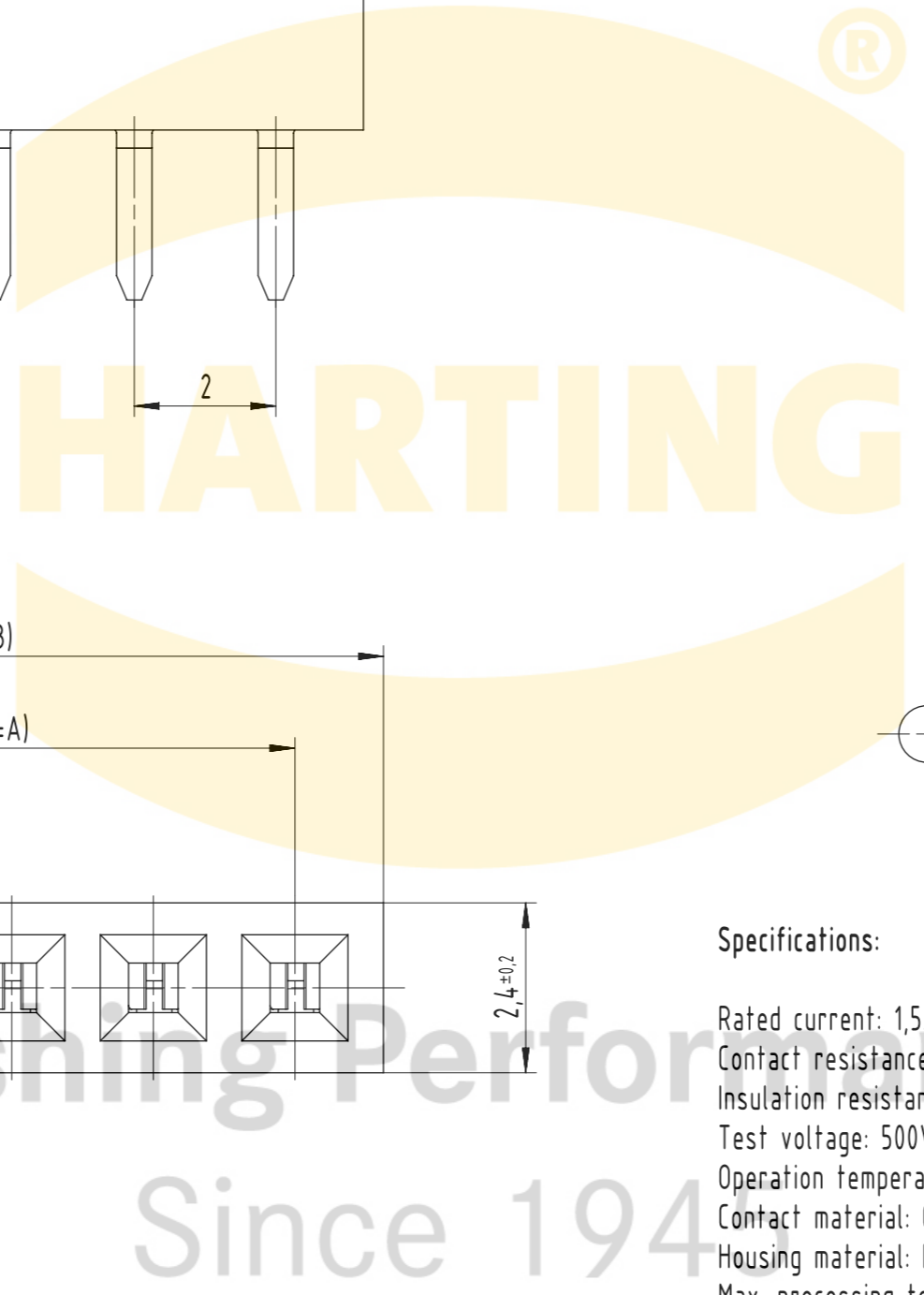


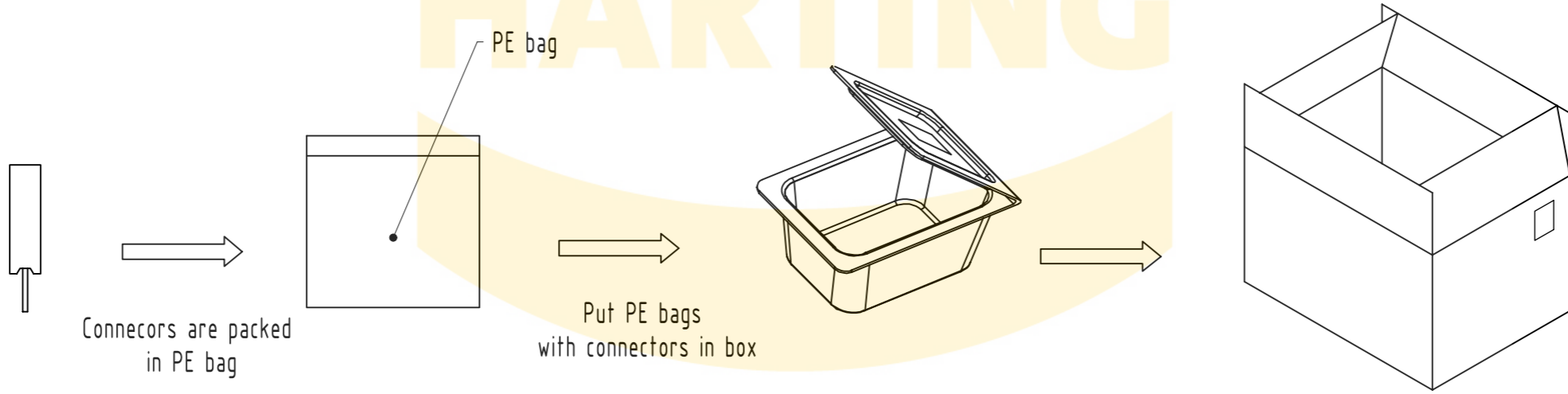
**Specifications:**

- Rated current: 1,5A
- Contact resistance: 20mΩ Max.
- Insulation resistance: 1000MΩ min.
- Test voltage: 500V AC
- Operation temperature: -40°C to +105°C
- Contact material: Copper alloy
- Housing material: High temperature thermoplastic, Black, UL94V-0
- Max. processing temperature: 230°C for 60second or 260°C for 3second

	All Dimensions in mm Original Size DIN A3		Scale 10:1	Free size tol.		Ref.	
	All rights reserved Department EL PD		Created by LUOK	Inspected by	Standardisation	Date 2022-10-29	State In Work
HARTING D-32339 Espelkamp		Title 2mm Single Straight Row Female Socket Header THR				Doc-Key / ECM-Nr. 101036393/UGD/000/A	
		Type TB	Number 094946121XX2DX			Rev. A	Page 1/2



2 Total Pin Count	No. of Pins per row (=N)	Part number	A	B±0.5	1 Plating
6	6	094946121062D8	10.00	12.40	Au flash over Ni
8	8	094946121082D8	14.00	16.40	
9	9	094946121092D8	16.00	18.40	
10	10	094946121102D8	18.00	20.40	
11	11	094946121112D8	20.00	22.40	
15	15	094946121152D8	28.00	30.40	
20	20	094946121202D8	38.00	40.40	
25	25	094946121252D8	48.00	50.40	
28	28	094946121282D8	54.00	56.40	
30	30	094946121302D8	58.00	60.40	



# Pushing Performance

Since 1945

2 Other Pin Count option is possible, please contact our sales

1 Plating options : Tin (Sn) plating over Ni, 15u" and 30u" Gold (Au) plating over Ni are available

	All rights reserved		Created by LUOK		Inspected by		Standardisation		Date 2022-10-29		State In Work	
	Department EL PD		Title 2mm Single Straight Row Female Socket Header THR		Doc-Key / ECM-Nr. 101036393/UGD/000/A		Type TB		Number 094946121XX2DX		Rev. A	
		All Dimensions in mm Original Size DIN A3		Scale 1:1		Free size tol.		Ref.		Sub.		
HARTING D-32339 Espelkamp										Page 2/2		