
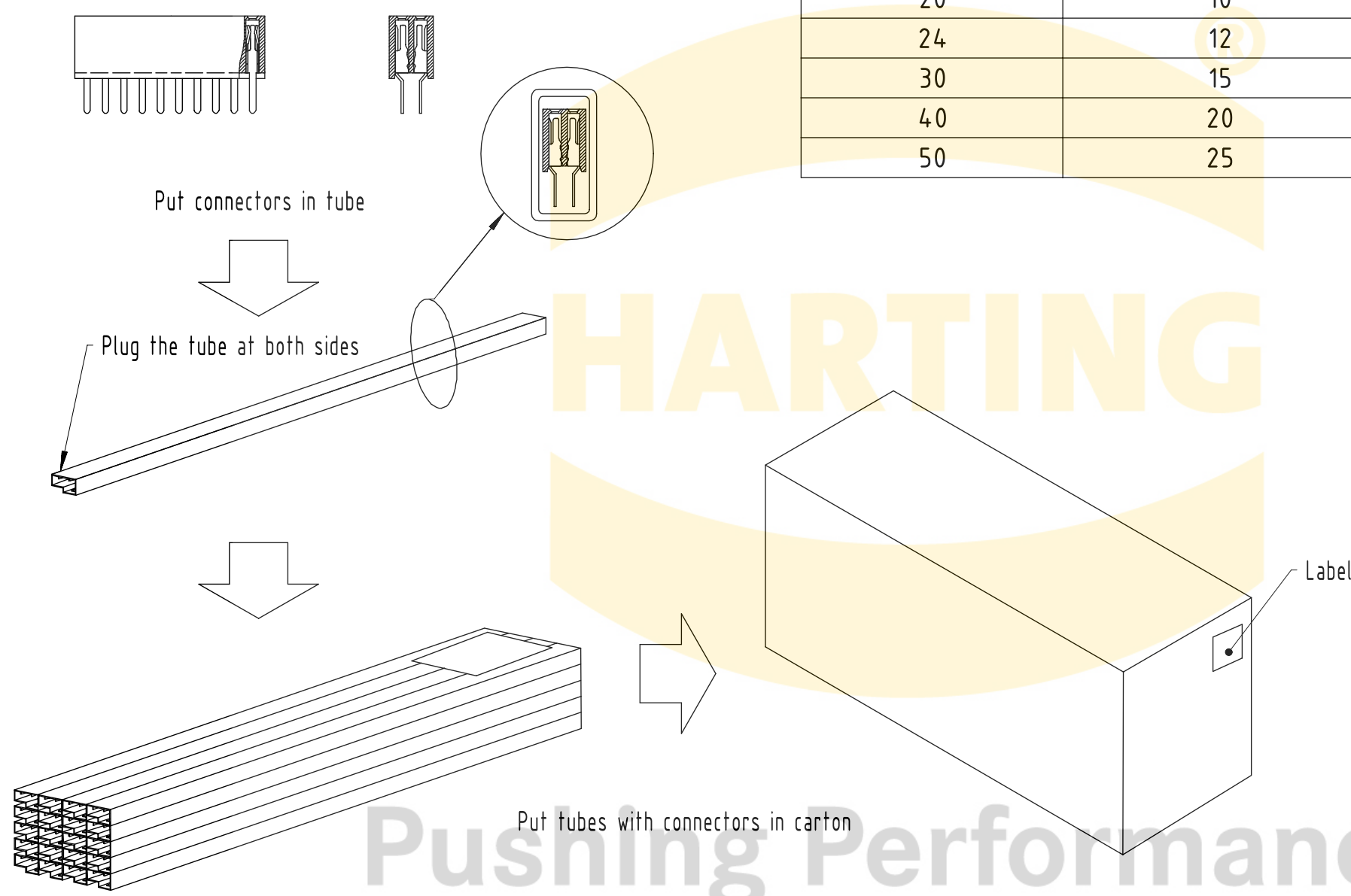


Specifications:

- Rated current: 1A
- Contact resistance: 20mΩ Max.
- Insulation resistance: 1000MΩ min.
- Test voltage: 500V AC
- Operation temperature: -40°C to +105°C
- Contact material: Copper alloy
- Housing material: High temperature thermoplastic, Black, UL94V-0
- Max. processing temperature: 230°C for 60second or 260°C for 3second

 All rights reserved Department EL PD	All Dimensions in mm Original Size DIN A3		Scale 10:1	Free size tol.		Ref. Sub.	
	Created by LUOK		Inspected by	Standardisation	Date 2022-10-18	State In Work	
Title 1.27mm Dual Straight Rows Female Socket Header THR						Doc-Key / ECM-Nr. 101032196/UGD/000/A	
HARTING D-32339 Espelkamp		Type TB	Number 094947021XX2DX			Rev. A	Page 1/2

2 Total Pin Count	No. of Pins per row (=N)	Part number	A	B±0,5	1 Plating
8	4	094947021082D1	3,81	5,08	Au flash over Ni
10	5	094947021102D1	5,08	6,35	
12	6	094947021122D1	6,35	7,62	
14	7	094947021142D1	7,62	8,89	
18	9	094947021182D1	10,16	11,43	
20	10	094947021202D1	11,43	12,70	
24	12	094947021242D1	13,97	15,24	
30	15	094947021302D1	17,78	19,05	
40	20	094947021402D1	24,13	25,40	
50	25	094947021502D1	30,48	31,75	



2 Other Pin Count option is possible, please contact our sales

1 Plating options : Tin (Sn) plating over Ni, 15u" and 30u" Gold (Au) plating over Ni are available

	All Dimensions in mm Original Size DIN A3		Scale 1:2	Free size tol.		Ref.
	All rights reserved Department EL PD		Created by LUOK	Inspected by	Standardisation	Sub.
HARTING D-32339 Espelkamp		Title 1.27mm Dual Straight Rows Female Socket Header THR			Date 2022-10-18	State In Work
		Type TB	Number 094947021XX2DX		Doc-Key / ECM-Nr. 101032196/UGD/000/A	Rev. A Page 2/2